



Larsen's®

CABINETS FOR FIRE PROTECTION EQUIPMENT

Call us Today! 1-800-527-7367

www.larsensmfg.com



TABLE OF CONTENTS	PAGE
How to Specify and Order Fire Extinguisher Cabinets	2
Three Part Specification Guide	2
Fire Extinguishers and Brackets	3
Fire Rated Extinguisher Cabinets — Flame-Shield® Option	4
Medallion Series Fire Extinguisher Cabinets	5
Architectural Series Fire Extinguisher Cabinets	6-7
Gemini Series Fire Extinguisher Cabinets	8
Cameo Series Fire Extinguisher Cabinets	9
Occult Series Fire Extinguisher Cabinets	10
Cabinets for Detention Facilities	11
Fire Blanket Cabinets	11
Exclusive Options for Fire Protection Cabinets	12
Distinguished World-Wide Projects Featuring Larsen's Products	12

- ✓ Over 50 years of unsurpassed quality manufacturing for the building construction industry
- ✓ The most complete product line in the industry continues to grow through constant innovation — fire-rated cabinets, access panels, detention cabinets and a full line of fire hose and fire department valve cabinets
- ✓ Multiple company-owned, full service production facilities — Minneapolis, MN and Ft. Lauderdale, FL
- ✓ Active participation in industry professional organizations such as Construction Specifications Institute, Door and Hardware Institute, American Institute of Architects, Fire Equipment Manufacturers' Association and National Association of Fire Equipment Distributors
- ✓ World-wide distributor network — call **1-800-LARSENS (800-527-7367)** for further information

HOW TO SPECIFY AND ORDER LARSEN'S FIRE EXTINGUISHER CABINETS

- STEP 1 SELECT THE CABINET DESIGN**
 - A. Architectural Series — Page 6
 - B. Medallion Series — Page 5
 - C. Gemini Series — Page 8
 - D. Cameo Series — Page 9
 - E. Occult Series — Page 10
 - F. Detention Cabinets — Page 11
 - G. Fire Blanket Cabinets — Page 11
- STEP 2 DETERMINE THE CABINET SIZE**
 - A. Verify type and size of extinguisher required by local authority
 - B. Consult page 3 to confirm Larsen's fire extinguisher model number
 - C. Consult "Recommended Extinguisher Capacity" in dimension chart for selected cabinet series
- STEP 3 DETERMINE IF FIRE-RATED OPTION IS REQUIRED**
 - A. Consult page 4 for Larsen's Flame-Shield® Option
- STEP 4 DETERMINE CABINET MODEL NUMBER**
 - A. Verify available wall depth for cabinet location
 - B. Consult "Rough Opening" dimensions for selected cabinet series
 - C. Determine if cabinet should be recessed, semi-recessed or surface mounted
 - D. Review ADA wall projection compliance for the cabinet model number
- STEP 5 SELECT THE TRIM AND DOOR MATERIAL**
 - A. Consult "To Specify" for selected cabinet series
- STEP 6 DETERMINE THE APPROPRIATE DOOR STYLE**
 - A. Consult "To Specify" for selected cabinet series

THREE PART SPECIFICATION GUIDE

SECTION 10 44 00: FIRE EXTINGUISHERS, CABINETS, AND ACCESSORIES

PART 1: GENERAL

1.01 WORK INCLUDED

- A. Fire Extinguishers
- B. Cabinets
- C. Accessories

1.02 RELATED WORK

- A. Section 09 91 00 — Painting
- B. Section 21 11 00 — Facility Fire-Suppression

1.03 REFERENCES

- A. NFPA 10 — Portable Fire Extinguishers
- B. ADA Accessibility Guidelines
- C. UBC Standard 7-5 (ASTM E-814-83) — Fire-rated cabinet option for combustible and non-combustible walls (*page 4*)

1.04 QUALITY ASSURANCE

- A. Conform to NFPA 10 requirements for portable fire extinguishers.
- B. Provide fire extinguishers, cabinets, and accessories by single manufacturer.

1.05 SUBMITTALS

- A. Submit product data in compliance with Section 01 33 00.

PART 2: PRODUCTS

2.01 ACCEPTABLE MANUFACTURERS

- A. Where shown on the drawings, provide fire extinguishers, cabinets, accessories manufactured by Larsen's Manufacturing Co., 7421 Commerce Lane N.E., Minneapolis, MN 55432 (763) 571-1181 or (800) 527-7367.

2.02 FIRE EXTINGUISHERS (*page 3*)

- A. Water Type: Larsen's PW Series
- B. Dry Chemical Type: Larsen's MP or DC Series
- C. Carbon Dioxide Type: Larsen's CD Series
- D. Wet Chemical Type: Larsen's WC Series
- E. Water Mist Type: Larsen's WM2½
- F. Halotron I Type: Larsen's HT Series

2.03 FIRE EXTINGUISHER CABINETS (*pages 4 – 11*)

- A. Where indicated on drawings, provide Larsen's ____ Series, model number ____ with ____ door. Door and trim to be fabricated from (cold-rolled steel, aluminum, stainless steel, solid brass or solid bronze). Special painted surfaces, color anodized aluminum, and graphics as indicated.
- B. Provide cabinets with fire-rated option, if applicable (*page 4*)

2.04 ACCESSORIES

- A. Fire Blankets and Cabinets (*page 11*)
- B. Vigilante Cabinet Alarm (*page 12*)
- C. Extinguisher Brackets (*page 3*)

PART 3: EXECUTION

3.01 INSPECTION

- A. Verify that rough openings for cabinets are correctly sized and located.

3.02 INSTALLATION

- A. Install the items of this Section in strict accordance with the original design, approved shop drawings, and requirements of agencies having jurisdiction, as approved by the Architect, anchoring all components firmly into position.



MP, HT & DC SERIES



WC 2½ & WC 6L



PW 2½ & WM 2½



CD SERIES

MP SERIES Multi-Purpose Dry Chemical

These units contain specially fluidized and siliconized mono ammonium phosphate powder which smothers and breaks the chain reaction on **Class B** fires, fuses and insulates **Class A** fires, and as a non-conductor of electricity, is effective on **Class C** fires involving live electrical equipment.

DC SERIES Regular Dry Chemical

These units contain specially siliconized sodium bicarbonate powder with free flowing and non-caking additives, suitable for fire in flammable liquids, and energized electrical equipment. **NOTE:** Since, as of July 1, 1998, all new extinguishers installed in restaurant kitchens must be **K Class** rated, the DC Series no longer is recommended for use in kitchen areas.

All multi-purpose, regular dry chemical units feature: Heavy duty DOT steel cylinders, rugged metal valves and siphon tubes, replaceable molded valve stem seals, pull pin-upright squeeze grip operation, approved to -65°F, non-toxic and pressure gauges.

WC SERIES Wet Chemical

Wet Chemical units are designed specifically for kitchen grease fire hazards and meet the new **K Class** listing now required for all extinguishers installed in restaurant kitchens. They contain a special potassium acetate based, low PH agent, which leaves no chemical residue to clean up. The spray applicator keeps the operator at a safe distance from the fire (shipped charged).

PW SERIES Pressurized Water

This unit is ideally suited for all industrial and commercial applications, where easy to use, positive on-off operation is important. Water is used as the extinguishing agent, making it highly effective on deep seated **Class A** fires (shipped empty).

WM SERIES Water Mist

This unit is designed for use wherever there is a **Class A** hazard near electrical equipment and the environment is of paramount concern. The extinguishing agent is de-ionized water, and the wand provides greatest operator safety. There is no risk of electrical conductivity or thermal or static shock. Ideal for use in health care, data processing, telecommunication, MRI and clean room facilities (shipped empty).

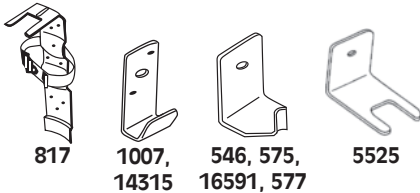
CD SERIES Carbon Dioxide

These units contain liquid carbon dioxide under pressure. It is discharged as a white cloud of "snow", which effectively smothers a fire. Carbon dioxide is a clean, non-conductor of electricity for **Class B and C** fires. Absolutely rust-free aluminum cylinders.

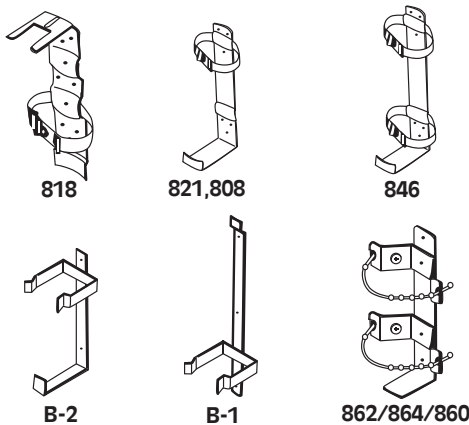
HT SERIES Halotron I

Halotron I is an EPA approved clean agent which discharges as a rapidly evaporating liquid, leaving no residue. It effectively extinguishes **Class A, B and C** fires and is intended for use in areas formerly protected by Halon 1211.

Standard Brackets*



Optional Brackets*



* **NOTE:** Standard brackets are included with all extinguishers at no additional cost. If specified, optional brackets are only available at additional cost. All the standard and optional brackets are designed to accommodate Larsen's extinguishers. While most comparably sized extinguishers usually will function with the brackets at right, Larsen's cannot assume responsibility for variations in cylinder dimensions among various extinguisher suppliers.

Model Number	Nominal Capacity	Shipping Weight	Cylinder Diameter	Overall Height	Overall Width	UL Rating	Standard Bracket*	Optional Bracket*
MP2½	2½ lbs.	5½ lbs.	3 in.	15½ in.	5½ in.	1A-10B:C	817	860
MP5	5 lbs.	9½ lbs.	4¼ in.	15½ in.	7¼ in.	2A-10B:C	16591	B-2, 818, 821, 860
MP5-A	5 lbs.	9½ lbs.	4¼ in.	15½ in.	7¼ in.	3A-40B:C	16591	821, 862, 818
MP6	6 lbs.	12¾ lbs.	5 in.	16 in.	7¼ in.	3A-40B:C	546	808, 862
MP10	10 lbs.	18 lbs.	5 in.	20 in.	7¼ in.	4A-80B:C	546	B-2, 846, 862
MP20	20 lbs.	38 lbs.	7 in.	23¼ in.	10¼ in.	10A-120B:C	577	864
DC5	5½ lbs.	9½ lbs.	4¼ in.	15½ in.	7¼ in.	40B:C	16591	B2, 818, 821, 862
DC6	6 lbs.	13 lbs.	5 in.	16¼ in.	8¼ in.	40B:C	546	808, 862
DC10	10 lbs.	18 lbs.	5 in.	20 in.	7¼ in.	60B:C	546	B-2, 846, 862
DC20	20 lbs.	38 lbs.	7 in.	23¼ in.	10¼ in.	120B:C	577	864
WC-6L	6 liters	23 lbs.	7 in.	19 in.	9 in.	2A:K	1007	B1
WC2½	2½ gal.	34 lbs.	7 in.	24½ in.	9 in.	2A:K	1007	B1
PW2½	2½ gal.	7½ lbs.	7 in.	24½ in.	9 in.	2A	1007	B1, 864
WM2½	2½ gal.	9 lbs.	7 in.	26 in.	11 in.	2A:C	14315	N/A
CD5	5 lbs.	14 lbs.	5¼ in.	17¼ in.	8¼ in.	5-B:C	546	862
CD10	10 lbs.	28¼ lbs.	7 in.	24 in.	12 in.	10-B:C	575	N/A
CD15	15 lbs.	37¾ lbs.	7 in.	30 in.	12 in.	10-B:C	575	864
CD20	20 lbs.	50¾ lbs.	8 in.	30 in.	13 in.	10-B:C	577	864
HT2½	2½ lbs.	5½ lbs.	3 in.	15½ in.	5½ in.	2B:C	817	860
HT5	5 lbs.	9½ lbs.	4¼ in.	15½ in.	5½ in.	5B:C	818	860
HT11	11 lbs.	22½ lbs.	6 in.	21 in.	9¼ in.	1A:10B:C	575	N/A
HT15½	15½ lbs.	27½ lbs.	6 in.	21 in.	9¼ in.	2A:10B:C	575	N/A

CLASS A FIRES
 Paper, wood, cloth, etc. where quenching by water or insulating by general purpose dry chemical is effective.

CLASS B FIRES
 Burning liquids (gasoline, oils, cooking fats, etc.) where smothering action is required.

CLASS C FIRES
 Fire in live electrical equipment (motors, switches, appliances, etc.) where a non-conductive extinguishing agent is required.

CLASS K FIRES
 Cooking media.

Larsen's® FIRE RATED CABINETS — FLAME-SHIELD® OPTION

GENERAL DESCRIPTION: As pictured below, the **FLAME SHIELD®** option is available for a variety of Larsen's fire extinguisher, fire department valve, fire hose and fire blanket cabinets. It is designed specifically to maintain the integrity of one and two hour fire walls with all Larsen's recessed and semi-recessed cabinets. Warnock-Hersey has certified and listed Larsen's **FLAME SHIELD®** option for one and two hour combustible and non-combustible wall systems to meet the requirements of UBC Standard 7-5 (ASTM E-814-83). Larsen's **FLAME SHIELD®** option assures the specifier that life safety codes will be maintained and by eliminating the need to continue the fire wall within the rough opening, saves the installer considerable time and expense. Larsen's **FLAME SHIELD®** option is appropriate for either new construction or renovation projects.

BOX SPECIFICATION: All boxes for Larsen's fire extinguisher, fire department valve, fire hose, and fire blanket cabinets having the **FLAME SHIELD®** option are constructed of cold-rolled steel with baked acrylic enamel finish. The space between the double walls is lined entirely with 5/8" thick fire barrier material.

DOOR AND TRIM SPECIFICATION: All of Larsen's door styles are available with the **FLAME SHIELD** option. Please refer to the following catalog pages for illustrations and descriptions of these door styles:

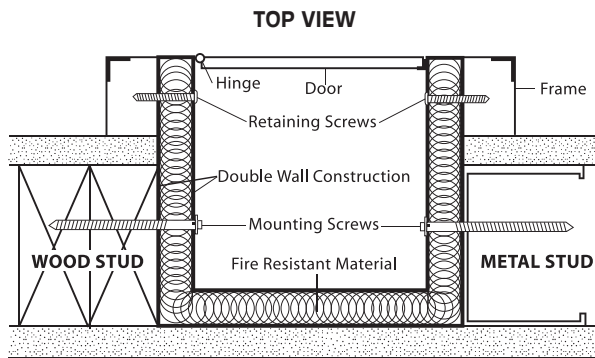
1. Architectural Series Door Styles — (pages 6 – 7)
2. Medallion Series Door Styles — (page 5)
3. Gemini Series Door Styles — (page 8)
4. Cameo Series Door Styles — (page 9)
5. Occult Series Door Styles — (page 10)

All of Larsen's door and trim materials are available with the **FLAME SHIELD** option:

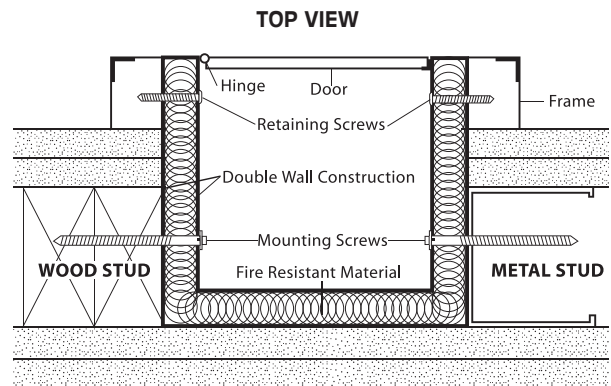
1. **Steel:** One piece, cold-rolled with a standard finish of white baked acrylic enamel.
2. **Aluminum:** Extruded or fabricated construction with a standard clear satin anodized finish. A selection of optional color anodized finishes is available.
3. **Stainless Steel:** One piece, 304 stainless steel with a standard #4 brushed finish or optional #8 polished finish.
4. **Solid Brass or Solid Bronze:** One piece with a standard #4 satin or optional #8 polished finish. All doors and trims have a clear protective coating.

TO SPECIFY LARSEN'S FLAME-SHIELD OPTION

1. **SELECT THE CABINET TYPE AND SERIES REQUIRED**
 - A. Fire Extinguisher Cabinets — (pages 4 – 11)
 - B. Fire Blanket Cabinets — (page 11)
2. **SELECT THE SPECIFIC CABINET REQUIRED FROM THE MODEL NUMBERS WITH "FS" PREFIX**
Refer to the dimension charts on pages 4 – 11.
3. **INDICATE THE SPECIFIC DOOR STYLE REQUIRED**
See door and trim specifications at the left.
4. **SELECT ANY OPTIONS**
 - A. Die-Cut Lettering, Vigilante Alarm, Fire Handle — (page 12)
 - B. Special Finishes (Paint, Color Anodized Aluminum, #8 Stainless Steel, Brass or Bronze)
5. **SPECIFY: "Provide fire-rated cabinet with Larsen's FLAME SHIELD option, certified and listed by Warnock-Hersey for one and two hour combustible and non-combustible wall systems to meet the requirements of UBC Standard 7-5 (ASTM E-814-83). All fire-rated cabinets to have trims with reinforced corners and factory supplied anchoring devices."**



ONE HOUR WALL SYSTEM



TWO HOUR WALL SYSTEM



FS SS 2712-RK —
FULL CLEAR ACRYLIC DOOR



FS VCB 1818-RK —
FULL CLEAR ACRYLIC DOOR



FS HCS 3030-R —
FULL CLEAR ACRYLIC DOOR

WHY SHOULD YOU SPECIFY LARSEN'S FIRE-RATED CABINETS?

1. Larsen's does not subcontract the manufacturing of its fire-rated cabinets to outside sources, but rather maintains quality control by directing the entire fabrication process within its own production facilities.
2. Larsen's provides detailed installation instructions and factory supplied anchoring devices to ensure a certified installation.
3. Larsen's is the only manufacturer who provides trims with welded corners.
4. Larsen's offers a wider selection of fire-rated cabinet sizes and types to include valve cabinets, fire hose cabinets, fire blanket cabinets and heavy gauge cabinets for detention facilities (see page 11).



Larsen's® FIRE EXTINGUISHER CABINETS

MEDALLION SERIES

GENERAL DESCRIPTION: Larsen's Medallion Series is an extensive line of recessed and semi-recessed cabinets with distinctive solid brass doors and trims. A #4 satin finish is standard, and other polished finishes are available, if specified. This custom series is intended for use in museums, performing arts centers, historical buildings, government and financial institutions, and other special buildings where the elegance of solid brass will complement the overall design. The Medallion Series would be appropriate for either new construction or renovation projects.

As an option, solid bronze doors and trims also are available. (See note below and also pages 9 and 10). Please contact the factory for additional information.

BOX SPECIFICATION: All units are equipped with a heavy gauge, white baked acrylic enamel box. Black and other special colors are available, if specified.

DOOR AND TRIM SPECIFICATION: All doors and trims are solid brass or bronze and feature a satin finish with a clear protective coating applied to all exterior surfaces. All doors are ½ inch thick rigid, tubular, hollow metal design. Unless otherwise specified, all Medallion Series cabinets have a brass or bronze wire pull handle with a self-adjusting roller catch and a matching continuous piano hinge. A selection of more popular door styles is pictured below. Please consult the Architectural Series door styles on page 6 for a more complete selection.

TO SPECIFY THE MEDALLION SERIES

1. Select the required model number from the dimension table below. (If Bronze door and trim required, use "BZ" prefix.)
2. Select the door styles from the pictures below or from the Architectural Series (page 6).
3. Select other options, if desired: lettering, special color box, Vigilante Alarm, "FIRE" HANDLE, recessed handle (page 12), Larsen-Loc® (page 6), etc.
4. Contact the factory if polished finish is required.

NOTE: "FS" models denote Larsen's "Flame-Shield" fire-rated cabinets. When specifying Larsen's "Flame-Shield" fire-rated cabinet option for the Medallion Series, refer to the dimension chart below and select from the models with an "FS" prefix. For complete details of the "Flame-Shield" option, see page 4.



B 2409-6R
FULL CLEAR ACRYLIC DOOR



BZ 2409-6R VERTICAL DUO CLEAR
ACRYLIC DOOR WITH WHITE
VERTICAL DIE-CUT LETTERS



B 2409-6R SOLID DOOR
WITH BLACK VERTICAL
DIE-CUT LETTERS

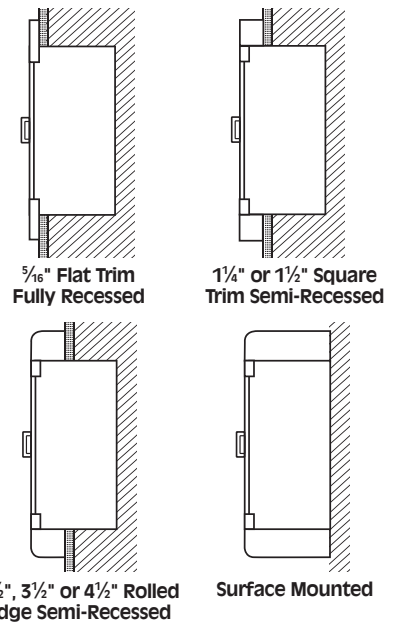


BZ 2409-SM VERTICAL DUO
CLEAR ACRYLIC DOOR

DIMENSIONS

Model Number	Trim Style and Projection	Inside Box Dimensions H x W x D	Outside Trim Dimensions H x W	Rough Opening H x W x D	Complies with ADA?	Recommended Extinguisher Capacity
B 2409-R1	Rec.-3/8"	24 x 9½ x 5	27½ x 13	25 x 10½ x 5¼	YES	MP2½, MP5, MP5-A, DC5, HT2½, HT5
FS B 2409-R1	Rec.-3/8"	24 x 9½ x 5	27½ x 13	26½ x 11½ x 6½	YES	
B 2409-5R	Semi-Rec. 1½"	24 x 9½ x 5	27½ x 13	25 x 10½ x 4	YES	
FS B 2409-5R	Semi-Rec. 1½"	24 x 9½ x 5	27½ x 13	26½ x 11½ x 4½	YES	MP2½, MP5, MP5-A, DC5, HT2½, HT5
B 2409-R3	Semi-Rec. 2½"	24 x 9½ x 5	27½ x 13	25 x 10½ x 3	YES	
FS B 2409-R3	Semi-Rec. 2½"	24 x 9½ x 5	27½ x 13	26½ x 11½ x 3½	YES	
B 2409-R2	Rec.-3/8"	24 x 9½ x 6	27½ x 13	25 x 10½ x 6	YES	MP2½, MP5, MP5-A, DC5, HT2½, HT5
FS B 2409-R2	Rec.-3/8"	24 x 9½ x 6	27½ x 13	26½ x 11½ x 7½	YES	
B 2409-R7	Semi-Rec. 1½"	24 x 9½ x 6	27½ x 13	25 x 10½ x 5	YES	
FS B 2409-R7	Semi-Rec. 1½"	24 x 9½ x 6	27½ x 13	26½ x 11½ x 5½	YES	MP2½, MP5, MP5-A, DC5, HT2½, HT5
B 2409-6R	Semi-Rec. 2½"	24 x 9½ x 6	27½ x 13	25 x 10½ x 4	YES	
FS B 2409-6R	Semi-Rec. 2½"	24 x 9½ x 6	27½ x 13	26½ x 11½ x 4½	YES	
B 2409-R4	Semi-Rec. 3½"	24 x 9½ x 6	27½ x 13	25 x 10½ x 3	YES	MP2½, MP5, MP5-A, DC5, HT2½, HT5
FS B 2409-R4	Semi-Rec. 3½"	24 x 9½ x 6	27½ x 13	26½ x 11½ x 4	YES	
B 2409-RM	Semi-Rec. 4½"	24 x 9½ x 6	27½ x 13	25 x 10½ x 2	♦	
FS B 2409-RM	Semi-Rec. 4½"	24 x 9½ x 6	27½ x 13	26½ x 11½ x 2½	♦♦	MP2½, MP5, MP5-A, DC5, HT2½, HT5
B 2409-SM	Surface Mtd.	24 x 9½ x 5½	27½ x 13	—	♦	
B 2409-RA	Semi-Rec. 4"	24 x 9½ x 6	27½ x 13	25 x 10½ x 2½	♦♦	
FS B 2409-RA	Semi-Rec. 4"	24 x 9½ x 6	27½ x 13	26½ x 11½ x 3½	♦♦♦	PW2½, MP20, DC20, CD10, WC-6L, HT11, HT15½, WC2½, WM2½
B 2712-R	Rec.-3/8"	27 x 12 x 8	30½ x 15½	28 x 13 x 8¼	YES	
FS B 2712-R	Rec.-3/8"	27 x 12 x 8	30½ x 15½	29½ x 14½ x 9½	YES	
B 2712-RK	Semi-Rec. 1½"	27 x 12 x 8	30½ x 15½	28 x 13 x 7¼	YES	PW2½, MP20, DC20, CD10, WC-6L, HT11, HT15½, WC2½, WM2½
FS B 2712-RK	Semi-Rec. 1½"	27 x 12 x 8	30½ x 15½	29½ x 14½ x 8½	YES	
B 2712-RL	Semi-Rec. 2½"	27 x 12 x 8	30½ x 15½	28 x 13 x 6	YES	
FS B 2712-RL	Semi-Rec. 2½"	27 x 12 x 8	30½ x 15½	29½ x 14½ x 7	YES	

SIDE VIEW



NOTE: Solid brass or solid bronze doors and trims are available for the Cameo Series (page 9), the Occult Series (page 10), as well as other Larsen's Fire Extinguisher, Valve and Hose Cabinets. Please contact factory for additional information.

- ♦ To comply with ADA wall projection guidelines, this cabinet must be mounted with its leading edge at or below 27" from the finished floor.
- ♦♦ To comply with ADA wall projection guidelines, this cabinet must be specified with Larsen's recessed handle (see page 12).

FIRE EXTINGUISHER CABINETS

ARCHITECTURAL SERIES

GENERAL DESCRIPTION: Larsen's Architectural Series is a traditional, value-added line of recessed, semi-recessed, and surface mounted fire extinguisher cabinets. These units are designed for all types of buildings and are equipped with the conventional door styles such as those pictured below. The standard door and trim material is steel, and optional materials include both aluminum and stainless steel. All doors are ½" thick and open 180°. All doors have a satin finish pull handle with a self-adjusting roller catch, and a continuous piano hinge constructed of material which matches the door and trim.

BOX SPECIFICATION: All recessed and semi-recessed cabinets and surface-mounted steel cabinets have a heavy gauge, white baked enamel box. Surface-mounted cabinets with aluminum door and trim have a box constructed entirely of clear or color anodized aluminum. Surface-mounted cabinets with stainless steel door and trim have a box constructed entirely of 304 stainless steel with #4 finish.

TRIM AND DOOR SPECIFICATION: Steel trims and doors are one piece, constructed of cold-rolled steel with a standard finish of white baked acrylic enamel, which can be used as either a finish or prime coat. Aluminum trims are constructed of extruded or fabricated aluminum and all corners are mitered. Aluminum is the

recommended material for applications in salt air and other corrosion prone environments. Clear satin anodized finish is standard for all trims and doors, and optional color anodized finishes are available. To specify aluminum trim and door, use the prefix "AL" before the cabinet model number. Stainless steel trims and doors are one piece, constructed of #4 finish, 304 stainless steel. To specify stainless steel trim and door, use the prefix "SS" before the cabinet model number. All steel and stainless steel doors have a tubular, hollow-metal design. Samples of door and trim materials are pictured.

TO SPECIFY THE ARCHITECTURAL SERIES:

1. Use the appropriate prefix for the trim and door material. No prefix is required for steel. Use "AL" for aluminum. Use "SS" for stainless steel.
2. Select the required model number from the dimension chart on page 7.
3. Select the door style from the pictures below.
4. Other options: Larsen-Loc® (see below), Die-Cut Lettering, Special Finishes (paint, color anodized aluminum or #8 stainless steel), Vigilante Alarm, "FIRE" Handle, Recessed Handle (see the "Exclusive Options for Extinguisher Cabinets" profile). (page 12)

ARCHITECTURAL SERIES DOOR STYLES (TRIM AND DOOR MATERIALS)



FULL CLEAR ACRYLIC DOOR* (BRONZE ANODIZED ALUMINUM)

HORIZONTAL DUO CLEAR ACRYLIC DOOR* (WHITE BAKED ENAMEL STEEL)

VERTICAL DUO CLEAR ACRYLIC DOOR* (#4 STAINLESS STEEL)

FULL CLEAR ACRYLIC DOOR WITH LARSEN-LOC (CLEAR ANODIZED ALUMINUM)**

SOLID DOOR (#4 STAINLESS STEEL)



SOLID DOOR WITH VERTICAL ENGRAVED LETTERS (#8 STAINLESS STEEL)

SOLID DOOR WITH LARSEN-LOC® (#4 STAINLESS STEEL)

SOLID DOOR W/RECESSED HANDLE AND BLACK VERTICAL DIE-CUT LETTERS (WHITE BAKED ENAMEL STEEL)

VERTICAL DUO CLEAR ACRYLIC DOOR WITH LARSEN-LOC (#4 STAINLESS STEEL)**

HORIZONTAL DUO CLEAR ACRYLIC DOOR WITH LARSEN-LOC (WHITE BAKED ENAMEL)**

* CLEAR ACRYLIC IS STANDARD. THESE DOORS ALSO CAN BE GLAZED WITH TEMPERED SAFETY GLASS, LAMINATED SAFETY GLASS, BRONZE OR GRAY ACRYLIC.

ALL OF THESE DOOR STYLES ARE AVAILABLE WITH EXCLUSIVE LARSEN-LOC® OPTION. The Larsen-Loc® provides access to a locked cabinet, without requiring the breaking of glass. During an emergency, it permits the cabinet door to be opened simply by pulling sharply on the handle. Factory applied decal reads: "IN CASE OF FIRE ONLY – PULL FIRMLY ON HANDLE". By specifying the Larsen-Loc®, access to a locked cabinet is totally independent of the desired door style and glazing. All door styles can be combined with the Larsen-Loc®, including a solid metal door. The standard Larsen-Loc® on a **Solid Door** would be appropriate for gymnasiums or any locations where emergency access is required but where any kind of glazing or glazing opening may not be suitable. The **Solid Door with Larsen-Loc®** also can be specified as an **Institutional Door** (emergency access only with a key) by deleting the pull handle and decal.

Larsen's® FIRE EXTINGUISHER CABINETS

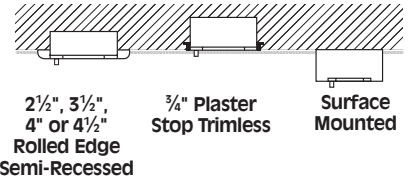
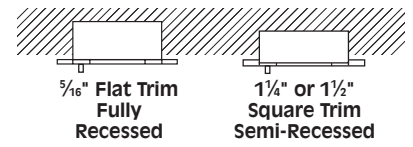
ARCHITECTURAL SERIES

DIMENSIONS

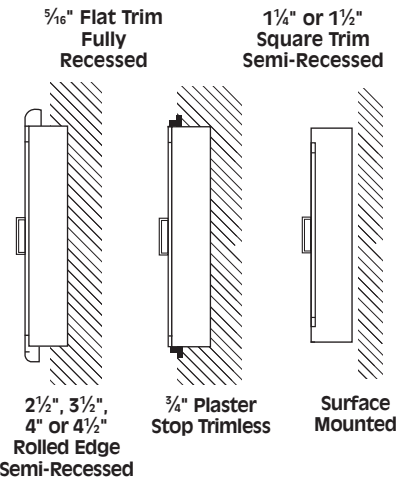
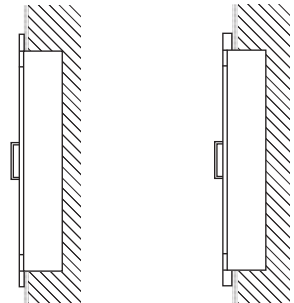
Model Number	Trim Style and Projection	Inside Box Dimensions H x W x D	Outside Trim Dimensions H x W**	Rough Opening H x W x D	Complies with ADA?	Recommended Extinguisher Capacity	
2409-R1	Rec. - 5/16"	24 x 9 1/2 x 5*	27 1/2 x 13	25 x 10 1/2 x 5 1/4	YES	MP2 1/2, MP5, MP5-A, DC5, HT2 1/2, HT5	
FS 2409-R1	Rec. - 5/16"	24 x 9 1/2 x 5*	27 1/2 x 13	26 1/2 x 11 1/2 x 6 1/4	YES		
2409-5R	Semi-Rec. 1 1/2"	24 x 9 1/2 x 5*	27 1/2 x 13	25 x 10 1/2 x 4	YES		
FS 2409-5R	Semi-Rec. 1 1/2"	24 x 9 1/2 x 5*	27 1/2 x 13	26 1/2 x 11 1/2 x 4 1/4	YES		
2409-R3	Semi-Rec. 2 1/2"	24 x 9 1/2 x 5*	27 1/2 x 13	25 x 10 1/2 x 3	YES		
FS 2409-R3	Semi-Rec. 2 1/2"	24 x 9 1/2 x 5*	27 1/2 x 13	26 1/2 x 11 1/2 x 3 1/4	YES		
2409-R2	Rec. - 5/16"	24 x 9 1/2 x 6	27 1/2 x 13	25 x 10 1/2 x 6 1/4	YES		MP2 1/2, MP5, MP6, MP5-A, DC5, MP10, DC6, DC10, CD5, HT2 1/2, HT5
FS 2409-R2	Rec. - 5/16"	24 x 9 1/2 x 6	27 1/2 x 13	26 1/2 x 11 1/2 x 7 1/4	YES		
2409-R7	Semi-Rec. 1 1/2"	24 x 9 1/2 x 6	27 1/2 x 13	25 x 10 1/2 x 5	YES		
FS 2409-R7	Semi-Rec. 1 1/2"	24 x 9 1/2 x 6	27 1/2 x 13	26 1/2 x 11 1/2 x 5 1/4	YES		
2409-6R	Semi-Rec. 2 1/2"	24 x 9 1/2 x 6	27 1/2 x 13	25 x 10 1/2 x 4	YES		
FS 2409-6R	Semi-Rec. 2 1/2"	24 x 9 1/2 x 6	27 1/2 x 13	26 1/2 x 11 1/2 x 4 1/4	YES		
2409-RM	Semi-Rec. 4 1/2"	24 x 9 1/2 x 6	27 1/2 x 13	25 x 10 1/2 x 2	♦		
FS 2409-RM	Semi-Rec. 4 1/2"	24 x 9 1/2 x 6	27 1/2 x 13	26 1/2 x 11 1/2 x 2 1/4	♦		
2409-RT	Trimless	24 x 9 1/2 x 6	—	- x - x 8 1/2†	YES		
2409-R4	Semi-Rec. 3 1/2"	24 x 9 1/2 x 6	27 1/2 x 13	25 x 10 1/2 x 3	YES		
FS 2409-R4	Semi-Rec. 3 1/2"	24 x 9 1/2 x 6	27 1/2 x 13	26 1/2 x 11 1/2 x 4	YES	PW2 1/2, MP20, DC20, CD10, WC-6L, HT11, HT15 1/2, WC2 1/2, WM2 1/2	
2409-SM	Surface Mtd.	27 1/2 x 13 x 6	27 1/2 x 13	—	♦		
2409-RA	Semi-Rec. 4	24 x 9 1/2 x 6	27 1/2 x 13	25 x 10 1/2 x 2 1/2	♦♦		
FS 2409-RA	Semi-Rec. 4	24 x 9 1/2 x 6	27 1/2 x 13	26 1/2 x 11 1/2 x 3 1/4	♦♦		
2712-R	Rec. - 5/16"	27 x 12 x 8	30 1/2 x 15 1/2	28 x 13 x 8 1/4	YES		Two each of the listed: PW2 1/2, MP10, DC10, MP20, DC20, CD5, CD10, WC-6L, HT11, HT15 1/2, WC2 1/2, WM2 1/2
FS 2712-R	Rec. - 5/16"	27 x 12 x 8	30 1/2 x 15 1/2	29 1/2 x 14 1/2 x 9 1/4	YES		
2712-RK	Semi-Rec. 1 1/4"	27 x 12 x 8	30 1/2 x 15 1/2	28 x 13 x 7 1/4	YES		
FS 2712-RK	Semi-Rec. 1 1/4"	27 x 12 x 8	30 1/2 x 15 1/2	29 1/2 x 14 1/2 x 8 1/4	YES		
2712-RL	Semi-Rec. 2 1/2"	27 x 12 x 8	30 1/2 x 15 1/2	28 x 13 x 6	YES		
FS 2712-RL	Semi-Rec. 2 1/2"	27 x 12 x 8	30 1/2 x 15 1/2	29 1/2 x 14 1/2 x 7 1/4	YES		
2712-RM	Semi-Rec. 4 1/2"	27 x 12 x 8	30 1/2 x 15 1/2	28 x 13 x 4	♦		
FS 2712-RM	Semi-Rec. 4 1/2"	27 x 12 x 8	30 1/2 x 15 1/2	29 1/2 x 14 1/2 x 4 1/4	♦		
2712-RT	Trimless	27 x 12 x 8	—	- x - x 8 1/2†	YES		
2712-SM	Surface Mtd.	30 1/2 x 15 1/2 x 8 1/2	30 1/2 x 15 1/2	—	♦		
2712-RA	Semi-Rec. 4	27 x 12 x 8	30 1/2 x 15 1/2	28 x 13 x 4 1/2	♦♦		
FS 2712-RA	Semi-Rec. 4	27 x 12 x 8	30 1/2 x 15 1/2	29 1/2 x 14 1/2 x 5 1/4	♦♦	Two each of the listed: PW2 1/2, MP10, DC10, MP20, DC20, CD5, CD10, WC-6L, HT11, HT15 1/2, WC2 1/2, WM2 1/2	
2720-R	Rec. - 5/16"	27 x 20 x 8	30 1/2 x 23 1/2	28 x 21 x 8 1/4	YES		
FS 2720-R	Rec. - 5/16"	27 x 20 x 8	30 1/2 x 23 1/2	29 1/2 x 22 1/2 x 9 1/4	YES		
2720-RK	Semi-Rec. 1 1/4"	27 x 20 x 8	30 1/2 x 23 1/2	28 x 21 x 7 1/4	YES		
FS 2720-RK	Semi-Rec. 1 1/4"	27 x 20 x 8	30 1/2 x 23 1/2	29 1/2 x 22 1/2 x 8 1/4	YES		
2720-RL	Semi-Rec. 2 1/2"	27 x 20 x 8	30 1/2 x 23 1/2	28 x 21 x 6	YES		
FS 2720-RL	Semi-Rec. 2 1/2"	27 x 20 x 8	30 1/2 x 23 1/2	29 1/2 x 22 1/2 x 7 1/4	YES		
2720-RM	Semi-Rec. 4 1/2"	27 x 20 x 8	30 1/2 x 23 1/2	28 x 21 x 4	♦		
FS 2720-RM	Semi-Rec. 4 1/2"	27 x 20 x 8	30 1/2 x 23 1/2	29 1/2 x 22 1/2 x 4 1/4	♦		
2720-RT	Trimless	27 x 20 x 8	—	- x - x 8 1/2†	YES		
2720-SM	Surface Mtd.	30 1/2 x 23 1/2 x 8 1/2	30 1/2 x 23 1/2	—	♦		
2720-RA	Semi-Rec. 4	27 x 20 x 8	30 1/2 x 23 1/2	28 x 21 x 4 1/2	♦♦		
FS 2720-RA	Semi-Rec. 4	27 x 20 x 8	30 1/2 x 23 1/2	29 1/2 x 22 1/2 x 5 1/4	♦♦	PW2 1/2, MP20, DC20, CD10, WC-6L, WM2 1/2	
3612-R	Rec. - 5/16"	36 x 12 x 8	39 1/2 x 15 1/2	37 x 13 x 8 1/4	YES		
FS 3612-R	Rec. - 5/16"	36 x 12 x 8	39 1/2 x 15 1/2	38 1/2 x 14 1/2 x 9 1/4	YES		
3612-RK	Semi-Rec. 1 1/4"	36 x 12 x 8	39 1/2 x 15 1/2	37 x 13 x 7 1/4	YES		
FS 3612-RK	Semi-Rec. 1 1/4"	36 x 12 x 8	39 1/2 x 15 1/2	38 1/2 x 14 1/2 x 8 1/4	YES		
3612-RL	Semi-Rec. 2 1/2"	36 x 12 x 8	39 1/2 x 15 1/2	37 x 13 x 6	YES		
FS 3612-RL	Semi-Rec. 2 1/2"	36 x 12 x 8	39 1/2 x 15 1/2	38 1/2 x 14 1/2 x 7 1/4	YES		
3612-RM	Semi-Rec. 4 1/2"	36 x 12 x 8	39 1/2 x 15 1/2	37 x 13 x 4	♦		
FS 3612-RM	Semi-Rec. 4 1/2"	36 x 12 x 8	39 1/2 x 15 1/2	38 1/2 x 14 1/2 x 4 1/4	♦		
3612-RT	Trimless	36 x 12 x 8	—	- x - x 8 1/2†	YES		
3612-SM	Surface Mtd.	39 1/2 x 15 1/2 x 8 1/2	39 1/2 x 15 1/2	—	♦		
3612-RA	Semi-Rec. 4	36 x 12 x 8	39 1/2 x 15 1/2	37 x 13 x 4 1/2	♦♦		
FS 3612-RA	Semi-Rec. 4	36 x 12 x 8	39 1/2 x 15 1/2	38 1/2 x 14 1/2 x 5 1/4	♦♦	PW2 1/2, MP20, DC20, CD10, CD15, WC2 1/2, WM2 1/2	
3216-R	Rec. - 5/16"	32 x 16 x 8	35 1/2 x 19 1/2	33 x 17 x 8 1/4	YES		
FS 3216-R	Rec. - 5/16"	32 x 16 x 8	35 1/2 x 19 1/2	34 1/2 x 18 1/2 x 9 1/4	YES		
3216-RK	Semi-Rec. 1 1/4"	32 x 16 x 8	35 1/2 x 19 1/2	33 x 17 x 7 1/4	YES		
FS 3216-RK	Semi-Rec. 1 1/4"	32 x 16 x 8	35 1/2 x 19 1/2	34 1/2 x 18 1/2 x 8 1/4	YES		
3216-RL	Semi-Rec. 2 1/2"	32 x 16 x 8	35 1/2 x 19 1/2	33 x 17 x 6	YES		
FS 3216-RL	Semi-Rec. 2 1/2"	32 x 16 x 8	35 1/2 x 19 1/2	34 1/2 x 18 1/2 x 7 1/4	YES		
3216-RM	Semi-Rec. 4 1/2"	32 x 16 x 8	35 1/2 x 19 1/2	33 x 17 x 4	♦		
FS 3216-RM	Semi-Rec. 4 1/2"	32 x 16 x 8	35 1/2 x 19 1/2	34 1/2 x 18 1/2 x 4 1/4	♦		
3216-RT	Trimless	32 x 16 x 8	—	- x - x 8 1/2†	YES		
3216-SM	Surface Mtd.	35 1/2 x 19 1/2 x 8 1/2	35 1/2 x 19 1/2	—	♦		
3216-RA	Semi-Rec. 4	32 x 16 x 8	35 1/2 x 19 1/2	33 x 17 x 4 1/2	♦♦		
FS 3216-RA	Semi-Rec. 4	32 x 16 x 8	35 1/2 x 19 1/2	34 1/2 x 18 1/2 x 5 1/4	♦♦		

WALL INSTALLATIONS AND TRIM PROJECTIONS

Top View



Side View



NOTE: "FS" models denote Larsen's "Flame-Shield" fire-rated cabinets. When specifying Larsen's "Flame-Shield" fire-rated cabinet option for the Architectural Series, refer to the dimension chart at left and select from the models with an "FS" prefix. For complete details of the "Flame-Shield" option, see page 4.

- * Inside box depth is 4 1/2" when supplied with aluminum door and trim. The AL2409-5R and AL2409-R7 have 1 1/2" square trims.
- † Trimless cabinets must be installed before drywall because their plaster stops must be behind the drywall. Trimless are not recommended for block wall installation.
- ** Deduct 3/4" from H x W dimensions for cabinets with aluminum door and trim. This does not apply to "FS" fire-rated option.
- ♦ To comply with ADA wall projection guidelines, this cabinet must be mounted with its leading edge at or below 27" from the finished floor.
- ♦♦ To comply with ADA wall projection guidelines, this cabinet must be specified with Larsen's recessed handle (see page 12).

Larsen's® FIRE EXTINGUISHER CABINETS

GEMINI SERIES

GENERAL DESCRIPTION: Larsen's Gemini Series is an aesthetically designed cabinet line which is identified by an extensive selection of frameless acrylic doors. Gemini cabinets are identical to the Architectural Series, except these units have a frameless door of smooth or textured acrylic in lieu of the conventional hollow-metal door frame. The dimensions of the Gemini Series cabinets are outlined in the table at right. Please refer to page 7 for the appropriate wall installation and trim projection information. The Gemini Series is specified by using the prefix "G" as part of the model number.

DOOR SPECIFICATION: The standard door material is smooth or textured acrylic. If lettering is specified, the design is placed on the back of the door to prevent damage. A selection of the more popular Gemini door styles is pictured below. The complete range of options, however, is outlined in the chart below. The Larsen-Loc® is available with all door styles. All doors have a satin finish pull handle with a self-adjusting roller catch and a continuous piano hinge constructed of material which matches the trim.

BOX SPECIFICATION & TRIM SPECIFICATION: Identical to the Architectural Series. Please consult page 7.

TO SPECIFY THE GEMINI SERIES:

1. Use the appropriate prefix for the trim material. No prefix is required for steel. Use "AL" for aluminum. Use "SS" for stainless steel.
2. Select the required model number from the table at right.
3. Select the door design from the chart on this page and, if desired, specify the door and lettering color.



CLEAR DOOR — BLACK VERTICAL LETTERS

WHITE DOOR — BLACK HORIZONTAL LETTERS



RED DOOR — WHITE VERTICAL LETTERS WITH LARSEN-LOC®

BLACK DOOR — WHITE TYPE A LETTERS

NOTE: "FS" models denote Larsen's "Flame-Shield" fire-rated cabinets. When specifying Larsen's "Flame-Shield" fire-rated cabinet option for the Architectural Series, refer to the dimension chart above and select from the models with an "FS" prefix. For complete details of the "Flame-Shield" option, see page 4.

DIMENSIONS

Model Number	Trim Style and Projection	Inside Box Dimensions H x W x D	Outside Trim Dimensions H x W**	Rough Opening H x W x D	Complies with ADA?	Recommended Extinguisher Capacity
G2409-R1	Rec.—5/16	24 x 9½ x 5*	27½ x 13	25 x 10½ x 5¼	YES	MP2½, MP5, MP5-A, DC5, HT2½, HT5
FS G2409-R1	Rec.—5/16	24 x 9½ x 5*	27½ x 13	26½ x 11½ x 6½	YES	
G2409-5R	Semi-Rec. 1½	24 x 9½ x 5*	27½ x 13	25 x 10½ x 4	YES	
FS G2409-5R	Semi-Rec. 1½	24 x 9½ x 5*	27½ x 13	26½ x 11½ x 4½	YES	
G2409-R3	Semi-Rec. 2½	24 x 9½ x 5*	27½ x 13	25 x 10½ x 3	YES	
FS G2409-R3	Semi-Rec. 2½	24 x 9½ x 5*	27½ x 13	26½ x 11½ x 3¾	YES	
G2409-R2	Rec.—5/16	24 x 9½ x 6	27½ x 13	25 x 10½ x 6¼	YES	MP2½, MP5, MP5-A, DC5, MP6, MP10, DC6, DC10, CD5, HT2½, HT5
FS G2409-R2	Rec.—5/16	24 x 9½ x 6	27½ x 13	26½ x 11½ x 7½	YES	
G2409-R7	Semi-Rec. 1½	24 x 9½ x 6	27½ x 13	25 x 10½ x 5	YES	
FS G2409-R7	Semi-Rec. 1½	24 x 9½ x 6	27½ x 13	26½ x 11½ x 5½	YES	
G2409-6R	Semi-Rec. 2½	24 x 9½ x 6	27½ x 13	25 x 10½ x 4	YES	
FS G2409-6R	Semi-Rec. 2½	24 x 9½ x 6	27½ x 13	26½ x 11½ x 4½	YES	
G2409-RM	Semi-Rec. 4½	24 x 9½ x 6	27½ x 13	25 x 10½ x 2	♦	
FS G2409-RM	Semi-Rec. 4½	24 x 9½ x 6	27½ x 13	26½ x 11½ x 2½	♦	
G2409-RT	Trimless	24 x 9½ x 6	—	- x - x 6½†	YES	
G2409-R4	Semi-Rec. 3½	24 x 9½ x 6	27½ x 13	25 x 10½ x 3	YES	
FS G2409-R4	Semi-Rec. 3½	24 x 9½ x 6	27½ x 13	26½ x 11½ x 4	YES	
G2409-SM	Surface Mtd.	27½ x 13 x 6	27½ x 13	—	♦	
G2409-RA	Semi-Rec. 4	24 x 9½ x 6	27½ x 13	25 x 10½ x 2½	♦♦	
FS G2409-RA	Semi-Rec. 4	24 x 9½ x 6	27½ x 13	26½ x 11½ x 3½	♦♦	
G2712-R	Rec.—5/16	27 x 12 x 8	30½ x 15½	28 x 13 x 8¼	YES	PW2½, MP20, DC20, CD10, WC-6L, HT11, HT15½, WC2½, WM2½
FS G2712-R	Rec.—5/16	27 x 12 x 8	30½ x 15½	29½ x 14½ x 9½	YES	
G2712-RK	Semi-Rec. 1¼	27 x 12 x 8	30½ x 15½	28 x 13 x 7¼	YES	
FS G2712-RK	Semi-Rec. 1¼	27 x 12 x 8	30½ x 15½	29½ x 14½ x 8½	YES	
G2712-RL	Semi-Rec. 2½	27 x 12 x 8	30½ x 15½	28 x 13 x 6	YES	
FS G2712-RL	Semi-Rec. 2½	27 x 12 x 8	30½ x 15½	29½ x 14½ x 7	YES	
G2712-RM	Semi-Rec. 4½	27 x 12 x 8	30½ x 15½	28 x 13 x 4	♦	
FS G2712-RM	Semi-Rec. 4½	27 x 12 x 8	30½ x 15½	29½ x 14½ x 4½	♦	
G2712-RT	Trimless	27 x 12 x 8	—	- x - x 8½†	YES	
G2712-SM	Surface Mtd.	30½ x 15½ x 8½	30½ x 15½	—	♦	
G2712-RA	Semi-Rec. 4	27 x 12 x 8	30½ x 15½	28 x 13 x 4½	♦♦	
FS G2712-RA	Semi-Rec. 4	27 x 12 x 8	30½ x 15½	29½ x 14½ x 5½	♦♦	
G2720-R	Rec.—5/16	27 x 20 x 8	30½ x 23½	28 x 21 x 8¼	YES	Two each of the listed: PW2½, MP10, DC10, MP20, DC20, CD5, CD10, WC-6L, HT11, HT15½, WC2½, WM2½
FS G2720-R	Rec.—5/16	27 x 20 x 8	30½ x 23½	29½ x 22½ x 9½	YES	
G2720-RK	Semi-Rec. 1¼	27 x 20 x 8	30½ x 23½	28 x 21 x 7¼	YES	
FS G2720-RK	Semi-Rec. 1¼	27 x 20 x 8	30½ x 23½	29½ x 22½ x 8½	YES	
G2720-RL	Semi-Rec. 2½	27 x 20 x 8	30½ x 23½	28 x 21 x 6	YES	
FS G2720-RL	Semi-Rec. 2½	27 x 20 x 8	30½ x 23½	29½ x 22½ x 7	YES	
G2720-RM	Semi-Rec. 4½	27 x 20 x 8	30½ x 23½	28 x 21 x 4	♦	
FS G2720-RM	Semi-Rec. 4½	27 x 20 x 8	30½ x 23½	29½ x 22½ x 4½	♦	
G2720-RT	Trimless	27 x 20 x 8	—	- x - x 8½†	YES	
G2720-SM	Surface Mtd.	30½ x 23½ x 8½	30½ x 23½	—	♦	
G2720-RA	Semi-Rec. 4	27 x 20 x 8	30½ x 23½	28 x 21 x 4½	♦♦	
FS G2720-RA	Semi-Rec. 4	27 x 20 x 8	30½ x 23½	29½ x 22½ x 5½	♦♦	
G3216-R	Rec.—5/16	32 x 16 x 8	35½ x 19½	33 x 17 x 8¼	YES	PW2½, MP20, DC20, CD10, CD15, WC2½, WM2½
FS G3216-R	Rec.—5/16	32 x 16 x 8	35½ x 19½	34½ x 18½ x 9½	YES	
G3216-RK	Semi-Rec. 1¼	32 x 16 x 8	35½ x 19½	33 x 17 x 7¼	YES	
FS G3216-RK	Semi-Rec. 1¼	32 x 16 x 8	35½ x 19½	34½ x 18½ x 8½	YES	
G3216-RL	Semi-Rec. 2½	32 x 16 x 8	35½ x 19½	33 x 17 x 6	YES	
FS G3216-RL	Semi-Rec. 2½	32 x 16 x 8	35½ x 19½	34½ x 18½ x 7	YES	
G3216-RM	Semi-Rec. 4½	32 x 16 x 8	35½ x 19½	33 x 17 x 4	♦	
FS G3216-RM	Semi-Rec. 4½	32 x 16 x 8	35½ x 19½	34½ x 18½ x 4½	♦	
G3216-RT	Trimless	32 x 16 x 8	—	- x - x 8½†	YES	
G3216-SM	Surface Mtd.	35½ x 19½ x 8½	35½ x 19½	—	♦	
G3216-RA	Semi-Rec. 4	32 x 16 x 8	35½ x 19½	33 x 17 x 4½	♦♦	
FS G3216-RA	Semi-Rec. 4	32 x 16 x 8	35½ x 19½	34½ x 18½ x 5½	♦♦	

* Inside box depth is 4½" when supplied with aluminum door and trim. The AL G2409-5R and AL G2409-R7 have 1¼" square trims.

† Trimless cabinets must be installed behind drywall because their plaster stops must be behind the drywall. Trimless are not recommended for block wall installation.

** Deduct ¾" from H x W dimensions for cabinets with aluminum trim. This does not apply to "FS" fire-rated option.

♦ To comply with ADA wall projection guidelines, this cabinet must be mounted with its leading edge at or below 27" from the finished floor.

♦♦ To comply with ADA wall projection guidelines, this cabinet must be specified with Larsen's recessed handle (see page 12).

Door Design:

- Clear — No Letters
- Bronze — No Letters
- Vertical Letters
- Horizontal Letters
- Type A Letters

Larsen-Loc®

(see page 6 — Available with all door styles)

Door and Lettering Colors:

- Clear — Red Letters
- Clear — White Letters
- Clear — Black Letters
- White — Black Letters

- White — Red Letters
- Black — White Letters
- Red — White Letters
- Bronze — White Letters

Larsen's® FIRE EXTINGUISHER CABINETS

CAMEO SERIES

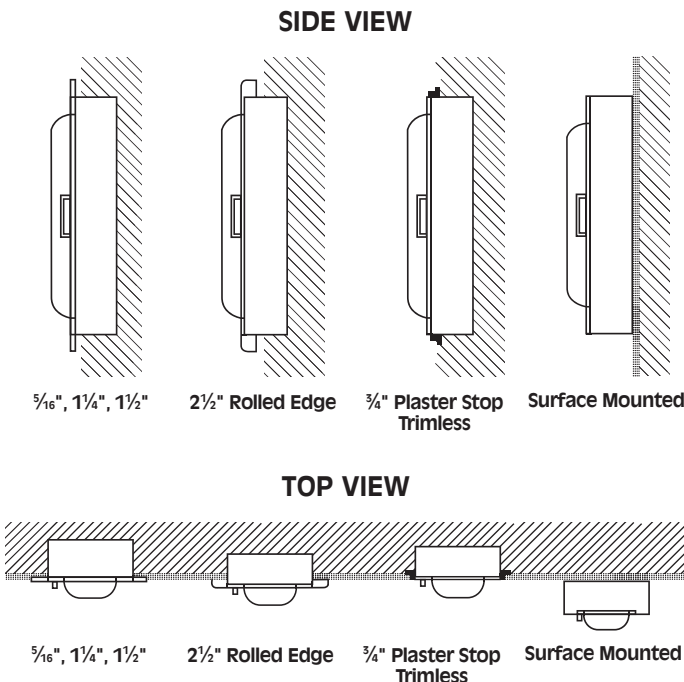
GENERAL DESCRIPTION: Larsen's Cameo Series provides an attractive as well as a safe and practical method of housing a fire extinguisher. By projecting the extinguisher into its protruding bubble, the Cameo allows for not only installation into a shallow wall but also full, 180° visibility of the cabinet's contents. The manufacturer's standard bracket must be used to support the fire extinguisher inside the Cameo cabinet. The standard door and trim material is steel, and optional materials include both aluminum and stainless steel. All door frames are 1/2" thick, hollow-metal design. All units have a satin finish pull handle with a self-adjusting roller catch, and a continuous piano hinge constructed of material which matches the door and trim.

BOX SPECIFICATION: All recessed and semi-recessed cabinets and surface-mounted steel cabinets have a heavy gauge, white baked enamel box. Surface mounted cabinets with aluminum door and trim have a box constructed entirely of clear or color anodized aluminum. Surface-mounted cabinets with stainless steel door and trim have a box constructed entirely of 304 stainless steel with a #4 finish.

TRIM AND DOOR SPECIFICATION: The Cameo trim and door is identical to the Architectural Series except that the Cameo door is glazed with a vacuum-formed acrylic bubble. With the exception of the bronze and red semi-transparent bubbles, the optional lettering is placed on the back of the bubble to prevent damage. A selection of the more popular Cameo door styles is pictured. The complete range of options, however, is outlined at right. The Larsen-Loc® is available with all door styles.

TO SPECIFY THE CAMEO SERIES

1. Use the appropriate prefix for the trim and door material. No prefix is required for steel. Use "AL" for aluminum. Use "SS" for stainless steel. Use "B" for brass. Use "BZ" for bronze.
2. Select the required model number from the table at right.
3. Select the bubble design from the chart at right and, if desired, specify the bubble and lettering color.



DIMENSIONS

Model Number	Trim Style and Projection	Inside Box Dimensions H x W x D	Outside Trim Dimensions H x W**	Rough Opening H x W x D	Complies with ADA?	Recommended Extinguisher Capacity
C2409-R	Rec. - 5/16"	24 x 9 1/2 x 3 1/2	27 1/2 x 13	25 x 10 1/2 x 4	YES	MP2 1/2, MP5, MP5-A, DC5, MP6, MP10, DC6, DC10, HT2 1/2, HT5
FS C2409-R	Rec. - 5/16"	24 x 9 1/2 x 3 1/2	27 1/2 x 13	26 1/2 x 11 1/2 x 4 1/2	YES	
C2409-5R	Semi-Rec. 1 1/2"	24 x 9 1/2 x 3 1/2	27 1/2 x 13	25 x 10 1/2 x 2 3/4	♦	
FS C2409-5R	Semi-Rec. 1 1/2"	24 x 9 1/2 x 3 1/2	27 1/2 x 13	26 1/2 x 11 1/2 x 3 1/2	♦	
C2409-6R	Semi-Rec. 2 1/2"	24 x 9 1/2 x 3 1/2	27 1/2 x 13	25 x 10 1/2 x 1 1/2	♦	
FS C2409-6R	Semi-Rec. 2 1/2"	24 x 9 1/2 x 3 1/2	27 1/2 x 13	26 1/2 x 11 1/2 x 2 1/2	♦	
C2409-RT	Trimless	24 x 9 1/2 x 3 1/2	—	- x - x 4*	YES	PW2 1/2, MP20, DC20, CD5, CD10, WC-6L, HT11, HT15 1/2, WM2 1/2, WC2 1/2
C2409-SM	Surface Mtd.	27 1/2 x 13 x 3 1/2	27 1/2 x 13	—	♦	
C3216-R	Rec. - 5/16"	32 x 16 x 3 1/2	35 1/2 x 19 1/2	33 x 17 x 4	YES	
FS C3216-R	Rec. - 5/16"	32 x 16 x 3 1/2	35 1/2 x 19 1/2	34 1/2 x 18 1/2 x 4 1/2	YES	
C3216-RK	Semi-Rec. 1 1/4"	32 x 16 x 3 1/2	35 1/2 x 19 1/2	33 x 17 x 2 1/4	♦	
FS FSC3216-RK	Semi-Rec. 1 1/4"	32 x 16 x 3 1/2	35 1/2 x 19 1/2	34 1/2 x 18 1/2 x 3 1/2	♦	
C3216-RL	Semi-Rec. 2 1/2"	32 x 16 x 3 1/2	35 1/2 x 19 1/2	33 x 17 x 1 1/2	♦	
FS C3216-RL	Semi-Rec. 2 1/2"	32 x 16 x 3 1/2	35 1/2 x 19 1/2	34 1/2 x 18 1/2 x 2 1/2	♦	
C3216-RT	Trimless	32 x 16 x 3 1/2	—	- x - x 4*	YES	
C3216-SM	Surface Mtd.	35 1/2 x 19 1/2 x 3 1/2	35 1/2 x 19 1/2	—	♦	

† Trimless cabinets must be installed before drywall because their plaster stops must be behind the drywall. Trimless are not recommended for block wall installation.

** Deduct 3/4" from H x W dimensions for cabinets with aluminum trim. This does not apply to the "FS" fire-rated option.

♦ To comply with ADA wall projection guidelines, this cabinet must be mounted with its leading edge at or below 27" from the finished floor.

NOTE: "FS" models denote Larsen's "Flame-Shield" fire-rated cabinets. When specifying Larsen's "Flame-Shield" fire-rated cabinet option for the Cameo Series, refer to the dimension chart above and select from the models with an "FS" prefix. For complete details of the "Flame-Shield" option, see page 4.

Bubble Design:

- Clear - No Letters
- Bronze - No Letters
- Red - No Letters
- Gray - No Letters

• Larsen-Loc® (Available with all door styles—see page 6)

Bubble & Lettering Colors:

- Clear - Red Letters
- Clear - White Letters
- Clear - Black Letters

- Black - White Letters
- White - Black Letters
- White - Red Letters
- Red - White Letters
- Bronze - White Letters



CLEAR BUBBLE — BLACK LETTERS

CLEAR BUBBLE — NO LETTERS WITH LARSEN-LOC®



RED BUBBLE — NO LETTERS

BRONZE BUBBLE — NO LETTERS (SOLID BRONZE DOOR & TRIM — #8 POLISHED FINISH)

Larsen's® FIRE EXTINGUISHER CABINETS

OCCULT SERIES

GENERAL DESCRIPTION: The Occult Series fire extinguisher cabinets feature an attractive door and concealed hinge which combine to give the cabinet a clean, trimless appearance. When the door is closed, it completely covers the cabinet's flange, which is on the outside of the wall surface. The Occult design also is exclusively available with Larsen's hose and valve cabinets. Contact factory.

BOX SPECIFICATION: All units have a cold-rolled steel box with a 3/4" wide flange (**Occult cabinets with the fire-rated option have a 1 1/2" wide flange and larger overall dimensions — see the table below**). The standard color is matte black and white is available, if specified.

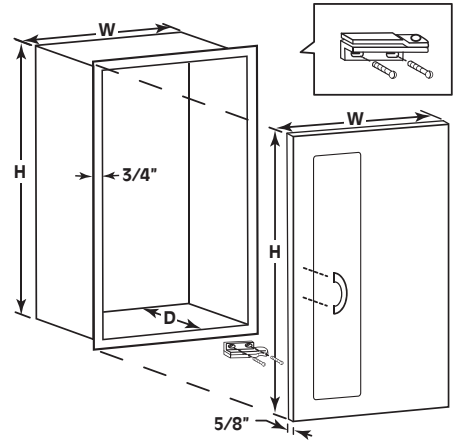
DOOR SPECIFICATION: The Occult door is 3/8" thick and is available in the Solid or Vertical Duo style — each available with the optional Larsen-Loc®, which provides the protection of a locked cabinet without requiring the breaking of glass to gain emergency access to the cabinet. The concealed hinge is constructed of aluminum with a stainless steel pin and allows the door to open 180°. The standard door material is cold-rolled **steel** with white baked acrylic enamel, which can be used either as a finish or prime coat. Optional door materials include **aluminum**, **stainless steel**, **solid brass**, and **solid bronze**. The

aluminum door has a satin anodized finish. Clear anodized is standard and a selection of optional color anodized finishes is available. The standard stainless steel door is 304 stainless steel with #4 finish. **Solid brass** and **solid bronze** doors feature a standard satin finish with a clear protective coating. Optional polished finishes are available for the stainless steel, brass and solid bronze doors. All standard Occult doors are supplied with a satin finish pull handle with a self adjusting roller catch. If specified, the pull handle can be deleted. Larsen's optional die cast "FIRE" handle can be specified in lieu of the standard pull handle (see page 12). Some of the more common Occult door styles are pictured below; however, the full selection of door styles is listed below.

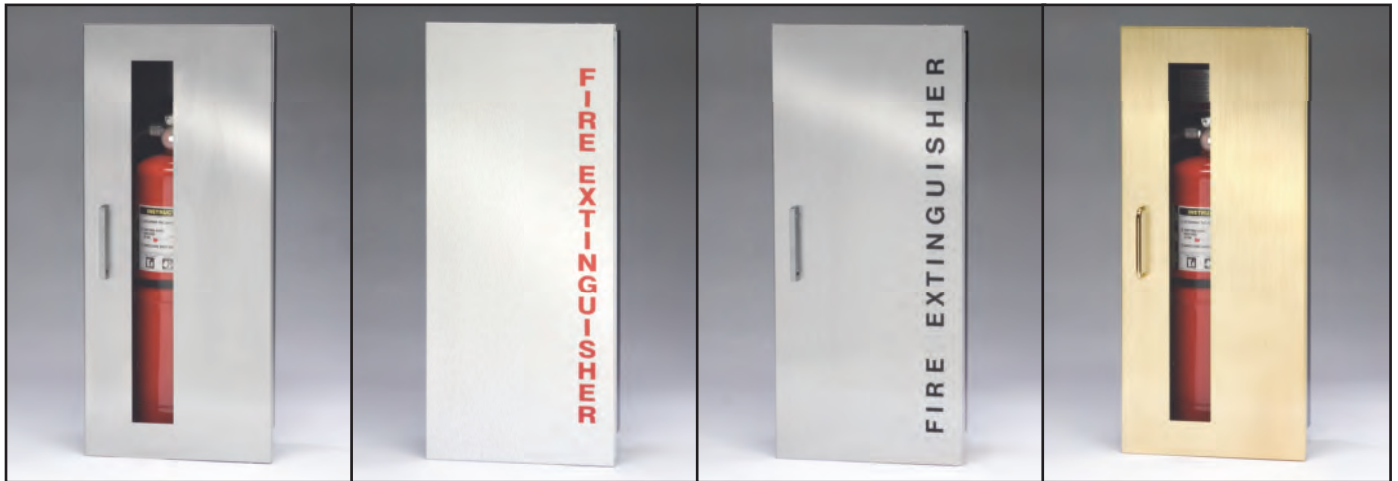
TO SPECIFY THE OCCULT SERIES:

1. Use the appropriate prefix for the corresponding door material. No prefix is required for steel. Use "AL" for aluminum. Use "SS" for stainless steel. Use "B" for solid brass. Use "BZ" for solid bronze. (If required, specify optional polished finishes for stainless, brass, or bronze).
2. Select the required model number from the table below.
3. Select the door style (Solid or Vertical Duo) and if required, the optional die cut lettering. (page 12)
4. If the Vertical Duo Door is specified, select the required glazing from the list below. Clear acrylic is standard.

5. If required, specify the Larsen-Loc®, which can be combined with the Solid Door or any of the V-Duo Door glazing options listed below.
6. The pull handle is standard. If required, specify the option of deleting the standard pull handle or substituting the optional die cast "FIRE" handle (page 12). **NOTE:** The standard pull handle or the "FIRE" handle must be used if the Larsen-Loc® is specified.
7. If the fire-rated option is required, see special dimensions for model numbers with the FS prefix in the table below.



NOTE: "FS" models denote Larsen's "Flame-Shield" fire-rated cabinets. When specifying Larsen's "Flame-Shield" fire-rated cabinet option for the Occult Series, refer to the dimension chart below and select from the models with an "FS" prefix. For complete details of the "Flame-Shield" option, see page 4.



VERTICAL DUO CLEAR ACRYLIC DOOR (#4 STAINLESS STEEL)

SOLID DOOR — LESS HANDLE WITH RED VERTICAL DIE CUT LETTERING (CLEAR ANODIZED ALUMINUM)

SOLID DOOR — WITH BLACK TYPE A DIE CUT LETTERING (#4 STAINLESS STEEL)

VERTICAL DUO CLEAR ACRYLIC DOOR (#4 SOLID BRASS)

DIMENSIONS

Model Number	Inside Box Dimensions H x W x D	Outside Flange Dimensions H x W	Outside Door Dimensions H x W	Rough Opening H x W x D	Complies with ADA?	Recommended Extinguisher Capacity
0-2409	24 x 9 1/2 x 6	25 1/2 x 11	25 3/4 x 11 1/4	24 1/2 x 10 x 6 1/4	YES	MP2 1/2, MP5, MP5-A, MP6, MP10, DC5, DC6, DC10, CD5, HT2 1/2, HT5
FS 0-2409	24 x 9 1/2 x 6	27 x 12 1/2	27 3/4 x 12 3/4	26 x 11 1/2 x 6 1/4	YES	
0-3216	32 x 16 x 8	33 3/8 x 17 1/2	33 3/4 x 17 3/4	32 1/2 x 16 1/2 x 8 1/4	YES	PW2 1/2, MP20, DC20, CD10, CD15, WC6-L, HT11, HT15 1/2, WM2 1/2, WC2 1/2
FS 0-3216	32 x 16 x 8	35 x 19	35 1/4 x 19 1/4	34 x 18 x 8 1/4	YES	

Door Style:

- Solid
- Vertical Duo
- Optional Larsen-Loc® (Available with either Solid or V-Duo Door, see page 6)

Lettering Color:

- Red
- Black
- White

Lettering Style:

- Vertical
- Horizontal
- Type A

Door Glazings & Options:

- Clear Acrylic
- Tempered Safety Glass
- Laminated Safety Glass
- Bronze Acrylic
- Gray Acrylic

NOTE: All Occult Series cabinets comply with ADA wall projection guidelines.

Larsen's® CABINETS FOR DETENTION FACILITIES

GENERAL DESCRIPTION: Larsen's heavy gauge extinguisher, fire hose, and fire department valve cabinets provide an effective method of securing fire protection equipment for all types of detention facilities. Available as fully recessed, semi-recessed or surface-mounted cabinets, these units feature one piece solid doors with matching trim and heavy gauge continuous piano hinges. These features, combined with security locks, fire extinguishers, valves, and hose rack units, offer a high level of fire protection for any detention facility.



When specifying Larsen's "Flame-Shield" fire-rated cabinet option for the DEC, DVC or DHC Series, refer to the dimension chart at right and select from the models with an "FS" prefix. As is the case with non-rated detention valve and hose cabinets, no knock-outs are provided with the fire-rated detention valve and hose cabinets. Pipe holes must be drilled by the installer and complete instructions are supplied with each fire-rated valve and hose cabinet. For complete details of the "Flame-Shield" option, see page 4.

BOX SPECIFICATION: All recessed, semi-recessed and surface-mounted cabinets feature 12 gauge cold-rolled steel boxes. Cabinets with stainless steel trim and door have a box constructed entirely of 12 gauge, 304 stainless steel. Surface-mounted stainless boxes have industrial matte finish.

TRIM AND DOOR SPECIFICATION: Steel trims and doors are manufactured entirely from 12 gauge cold-rolled steel. The doors are one piece construction. Stainless steel trims and doors feature the same construction using 12 gauge 304 stainless steel with industrial matte finish.

TO SPECIFY:

1. Insert, after "DEC", "DVC" or "DHC", the appropriate prefix for the trim and door material. Use "S" for 12 gauge steel and specify white or red finish. Use "SS" for 12 gauge stainless steel.
2. Select the required model number from the dimensional chart based on wall depth and interior capacity.
3. Select "**DETENTION LOCK**" (page 12).
4. OTHER OPTIONS: Die-cut lettering (page 12), fire-rated option (page 4), recessed handle (page 12).

DIMENSIONS*

Model Number	Trim Style	Inside Box Dimensions H x W x D	Outside Trim Dimensions H x W	Rough Opening H x W x D	Interior Capacity
DEC2409-R	Rec. Flat	23¼ x 9½ x 6½	27½ x 13	25 x 10½ x 7¼	MP2½, MP5, MP5-A, MP6, MP10, DC5, DC6, DC10, CD5, HT2½, HT5
FS DEC2409-R	Rec. Flat	23¼ x 9½ x 6½	27½ x 13	25½ x 11¼ x 8¼	
FS DEC2409-R4	Semi-Rec. ** 3½	23¼ x 9½ x 6½	27½ x 13	25½ x 11¼ x 5¼	
DEC2409-SM	Surface Mtd.	26½ x 12½ x 6½	27½ x 13	—	MP20, DC20, WC6-L, WC2½, PW2½, WM2½, CD10, HT11, HT15½
FS DEC2712-R	Rec. Flat	26½ x 11¼ x 8¼	30½ x 15½	28 x 13 x 8½	
FS DEC2712-RL	Semi-Rec. ** 3	26½ x 11¼ x 8¼	30½ x 15½	28 x 13 x 6½	
FS DEC2712-RL	Semi-Rec. ** 3	26½ x 11¼ x 8¼	30½ x 15½	28 x 13 x 7½	One 2½" Fire Dept. Valve w/ Cap & Chain
DEC2712-SM	Surface Mtd.	29½ x 14¼ x 8½	30½ x 15½	—	
DVC1818-R	Rec. Flat	17¼ x 17¼ x 8¼	21 x 21	19 x 19 x 8½	
FS DVC1818-R	Rec. Flat	17¼ x 17¼ x 8¼	21 x 21	19 x 19 x 9½	One Hose Rack with 100' of Rack Hose
DVC1818-SM	Surface Mtd.	20¼ x 20¼ x 8½	21 x 21	—	
FS DHC2634-R	Rec. Flat	33¼ x 25¼ x 8¼	37¼ x 29½	35 x 27 x 8½	
FS DHC2634-SM	Surface Mtd.	36¼ x 28¼ x 8½	37¼ x 29½	36 x 28 x 9½	One Hose Rack Unit with 100' of Rack Hose and a Fire Extinguisher
DHC3234-R	Rec. Flat	33¼ x 31¼ x 8¼	37¼ x 35½	35 x 33 x 8½	
FS DHC3234-R	Rec. Flat	33¼ x 31¼ x 8¼	37¼ x 35½	36 x 34 x 9½	
DHC3234-SM	Surface Mtd.	36¼ x 34¼ x 8½	37¼ x 35½	—	

* Other sizes available, contact factory.
 ** Semi-recessed DETENTION CABINETS HAVE SQUARE trims.

Larsen's® FIRE BLANKET CABINETS

Larsen's fire blanket cabinets are all equipped with a 62" x 80" fire blanket fabricated of a rugged blend of reprocessed wool. These fire retardant blankets meet federal specification #CS-191-53. Larsen's fire blanket cabinets are available in the three following designs:

FB 68-6 SERIES: Fire blanket is attached to a roller and can be rapidly released by placing one's arm through the arm loop and turning into the blanket. This surface mounted unit is constructed of cold-rolled steel with a standard finish of red baked acrylic enamel, and as an option, the cabinet can be fabricated entirely of stainless steel (Model SS FB 68-6).

FB 1016 SERIES: Drop Type, surface mounted cabinet, constructed of cold-rolled steel with a red baked acrylic enamel finish. The folded blanket is always visible through the viewing knockout on the front and is quickly available by releasing the hinged bottom of the cabinet.

FB 3612 SERIES: Exclusive combination fire extinguisher and fire blanket cabinet, which is identical to the Architectural Series model 3612 (see pages 6 – 7) except

for the blanket shelf located 9" down from the top of the cabinet, leaving 27" for the extinguisher height. Please consult pages 6 and 7 for wall mounting, trim and door material, and appropriate door style options. The unit is also available with Gemini door styles (model G FB 3612 — see page 8), with "Fire Extinguisher" (vertical) and "Fire Blanket" (horizontal) lettering. If specified, "Fire Extinguisher" and "Fire Blanket" decals or die cut lettering are available with the appropriate door styles pictured on page 6. For steel door and trim units, white baked acrylic enamel is the standard color. Red is available if specified.

DIMENSIONS

Model Number	Trim Style & Projection	Inside Box Dimension H x W x D	Rough Opening H x W x D	Complies with ADA?
FB3612-R	Rec.—5/16	36 x 12 x 8	37 x 13 x 8¼	YES
FS FB3612-R	Rec.—5/16	36 x 12 x 8	38½ x 14 x 9¼	YES
FB3612-RK	Semi-Rec. 1¼	36 x 12 x 8	37 x 13 x 7¼	YES
FS FB3612-RK	Semi-Rec. 1¼	36 x 12 x 8	38½ x 14 x 8¼	YES
FB3612-RL	Semi-Rec. 2½	36 x 12 x 8	37 x 13 x 6	YES
FS FB3612-RL	Semi-Rec. 2½	36 x 12 x 8	38½ x 14 x 7	YES
FB3612-RM	Semi-Rec. 4¼	36 x 12 x 8	37 x 13 x 4	♦
FS FB3612-RM	Semi-Rec. 4¼	36 x 12 x 8	38½ x 14 x 4¼	♦
FB3612-RT	Trimless	36 x 12 x 8	—	YES
FB3612-SM	Surface Mtd.	39½ x 15½ x 8	—	♦
FB3612-RA	Semi-Rec. 4	36 x 12 x 8	37 x 13 x 4¼	♦♦
FS FB3612-RA	Semi-Rec. 4	36 x 12 x 8	38½ x 14 x 5¼	♦♦
FB68-6	Surface Mtd.	68 x 6¼ x 4	—	♦
FB1016	Surface Mtd.	10 x 16 x 8	—	♦



FB 68-6



FB 1016



AL G FB 3612 RED DOOR WHITE LETTERS

FB 3612

NOTE: "FS" models denote Larsen's "Flame-Shield" fire-rated cabinets. When specifying Larsen's "Flame-Shield" fire-rated cabinet option for the Fire Blanket Cabinets, refer to the dimension chart at left and select from the models with an "FS" prefix. For complete details of the "Flame-Shield" option, see page 4.

- ♦ To comply with ADA wall projection guidelines, this cabinet must be mounted with its leading edge at or below 27" from the finished floor.
- ♦♦ To comply with ADA wall projection guidelines, this cabinet must be specified with Larsen's recessed handle (see page 12).

EXCLUSIVE OPTIONS FOR FIRE EXTINGUISHER, FIRE HOSE, AND FIRE DEPARTMENT VALVE CABINETS

VIGILANTE ALARM

Larsen's exclusive Vigilante Alarm provides additional protection for a cabinet's life safety contents. The Vigilante can reduce theft losses, help to prolong extinguisher life, and safeguard fire department valves, fire hose, and other equipment. It is constructed of high impact plastic, is plunger activated and includes a heavy-duty 9 volt battery as standard equipment. The on/off jack provides for convenient servicing of the cabinet's contents by authorized personnel.



RECESSED HANDLE

Larsen's zinc alloy, recessed handle is available with Solid, H-Duo, V-Duo, or Gemini Doors. This recessed handle must be specified with 4" projecting cabinet trims in order for the cabinet to comply with ADA wall projection guidelines.



2409-R2
SOLID DOOR



2409-R2
V-DUO DOOR

"FIRE" HANDLE

Larsen's die cast "FIRE" handle is an attractive identification option. The raised letters are flush with the face of the handle, and the size makes it interchangeable with Larsen's standard pull handle. The standard style is pictured at the right, and the optional red, black, and white handles are pictured below.



DIE-CUT LETTERING

Die-cut letters are state-of-the-art for precise and attractive cabinet identification and have replaced silk screen letters as the industry standard. They are available in standard colors of red, black, or white and the standard designs of vertical, horizontal, or type A. A selection of the more popular styles is pictured below. Custom lettering, special colors, and pictorial graphics also are available, if specified.



VERTICAL
DIE-CUT LETTERS



HORIZONTAL
DIE-CUT LETTERS



TYPE A
DIE-CUT LETTERS



INTERNATIONAL
EXTINGUISHER
SYMBOL

DECALS

VERTICAL
Clear background available with black, red or white letters.



HORIZONTAL

ENGRAVED LETTERING

Without backfill or with black, red or white backfill.



SIGNS



PTD-182



PTD-108



PWM-108



BL-108

DETENTION LOCKS AND KEYS

Larsen's cabinets for detention facilities can be supplied with a wide variety of security locks and keys. These locks can be either provided and installed by Larsen's or furnished by others and installed by Larsen's. For cabinets in high security areas, Larsen's can supply the **HSL II Deadlock** or **HSL III Latch**. These mechanical locks have paracentric keys with the standard keyway. For cabinets in medium or low security areas, Larsen's can supply the **MSL Cylinder Lock** with the standard keyway. If facility-specific locks and/or keyways are required, please contact the factory. Larsen's supplied locks are pictured below.



HSL II
DEADLOCK

HSL III LATCH

MSL CYLINDER
LOCK

DISTINGUISHED WORLD-WIDE PROJECTS FEATURING LARSEN'S PRODUCTS

- Facebook - Menlo Park, CA
- Lynden Pindling Int'l Airport - Nassau, BAHAMAS
- Federal Reserve Bank - New York, NY
- University of California Memorial Stadium - Berkeley, CA
- Rotana Hotel - Erbil, IRAQ
- Factory Mutual Global Headquarters - Johnston, RI
- Soligran Hotel - Beirut, LEBANON
- Walt Disney Concert Hall - Los Angeles, CA
- Farrell Hall - Wake Forest University
- AT&T Stadium - Arlington, TX
- Oakland A's Spring Training Facility - Mesa, AZ
- Greater Pittsburgh Int'l Airport Parking Garage
- JW Marriott Hotel - Houston, TX
- T-Mobile Arena - Las Vegas, NV
- San Francisco General Hospital - San Francisco, CA
- Baylor Football Stadium - Waco, TX
- Cleveland Clinic - Cleveland, OH
- Aspen Art Museum - Aspen, CO
- Swedish Medical Center - Seattle, WA
- National Archives Building - Washington, DC
- Charles Schwab Campus - Lone Tree, CO
- Delta Terminal #5 - Los Angeles Int'l Airport
- Hilo Int'l Airport - HAWAII
- 222 Hennepin - Minneapolis, MN
- VM Ware - Palo Alto, CA
- Wishard Hospital - Indianapolis, IN
- Statue of Liberty - New York, NY
- The Philadelphian - Philadelphia, PA
- Old Faithful Visitor Center - Yellowstone Nat'l Park
- One Place Tower - Tulsa, OK
- Camp Humphreys - SOUTH KOREA
- University of Chicago Medical Center - IL
- Munger Hall - University of Michigan
- Blue Bomber Stadium - Winnipeg, CANADA
- Ronald Reagan High School - San Antonio, TX
- River City Middle School - Post Falls, ID

MINNEAPOLIS

7421 Commerce Lane N.E.
Minneapolis, MN 55432
Phone: 763-571-1181 • Fax: 763-571-6900
E-Mail: info@larsensmfg.com

FLORIDA DIVISION

3130 N.W. 17th St.
Ft. Lauderdale, FL 33311
Phone: 954-486-3325 • Fax: 954-486-3352